

SP72

Single Plane Scanner



ZEBRA

MN-004637-01EN-P Rev A



ZEBRA and the stylized Zebra head are trademarks of Zebra Technologies Corporation, registered in many jurisdictions worldwide. All other trademarks are the property of their respective owners. ©2023 Zebra Technologies Corporation and/or its affiliates. All rights reserved.

Information in this document is subject to change without notice. The software described in this document is furnished under a license agreement or nondisclosure agreement. The software may be used or copied only in accordance with the terms of those agreements.

For further information regarding legal and proprietary statements, please go to:

SOFTWARE: zebra.com/linkoslegal.

COPYRIGHTS: zebra.com/copyright.

WARRANTY: zebra.com/warranty.

END USER LICENSE AGREEMENT: zebra.com/eula.

Terms of Use

Proprietary Statement

This manual contains proprietary information of Zebra Technologies Corporation and its subsidiaries ("Zebra Technologies"). It is intended solely for the information and use of parties operating and maintaining the equipment described herein. Such proprietary information may not be used, reproduced, or disclosed to any other parties for any other purpose without the express, written permission of Zebra Technologies.

Product Improvements

Continuous improvement of products is a policy of Zebra Technologies. All specifications and designs are subject to change without notice.

Liability Disclaimer

Zebra Technologies takes steps to ensure that its published Engineering specifications and manuals are correct; however, errors do occur. Zebra Technologies reserves the right to correct any such errors and disclaims liability resulting therefrom.

Limitation of Liability

In no event shall Zebra Technologies or anyone else involved in the creation, production, or delivery of the accompanying product (including hardware and software) be liable for any damages whatsoever (including, without limitation, consequential damages including loss of business profits, business interruption, or loss of business information) arising out of the use of, the results of use of, or inability to use such product, even if Zebra Technologies has been advised of the possibility of such damages. Some jurisdictions do not allow the exclusion or limitation of incidental or consequential damages, so the above limitation or exclusion may not apply to you.

Service Information

If you have a problem with your equipment, contact Zebra Global Customer Support for your region. Contact information is available at: zebra.com/support.

When contacting support, please have the following information available:

- Serial number of the unit
- Model number or product name
- Software type and version number

Zebra responds to calls by email, telephone, or fax within the time limits set forth in support agreements.

If your problem cannot be solved by Zebra Customer Support, you may need to return your equipment for servicing and will be given specific directions. Zebra is not responsible for any damages incurred during shipment if the approved shipping container is not used. Shipping the units improperly can possibly void the warranty.

If you purchased your Zebra business product from a Zebra business partner, contact that business partner for support.

Getting Started

The SP72 Single Plane Scanner provides intuitive, hands-free scanning. The scanner reads all standard retail symbologies and interfaces to all popular Point of Sale (POS) devices.

The SP72 is available in two unique form factors:

- SP72-V (Vertical) for on-counter applications.
- SP72-H (Horizontal) for in-counter applications.

The SP72 is also available in two tiers to match specific feature requirements and budget:

- The SP7208 premium-level scanner combines optimal performance with advanced features, such as a color camera option to support vision-based applications.

- The SP7201 base-level scanner offers SP7208 performance but at a lower price, including only the essential features needed for many of today's applications.

Table 1 Differences between the SP7208 and SP7201

Feature	SP7208	SP7201
SP72-V		
Multiple interfaces: USB, RS-232, TGCIS (IBM) 46xx over RS485, Keyboard Wedge	Yes	5VDC USB only
Aux port	Yes	No
Aux power port	Yes	No
2MP color camera option	Yes	No
SP72-H		
Multiple interfaces: USB, RS-232, TGCIS (IBM) 46xx over RS485, Keyboard Wedge	Yes	5VDC USB only
Aux port	Yes	No
Aux power port	Yes	No

Unpacking the Scanner

Remove the scanner from its packing and inspect it for damage. The following items are included in the package:

- Scanner.
- SP72 Scanner Quick Reference Guide (p/n MN-004637-xx).



NOTE: Depending on the configuration purchased, the box may also contain a combination of cables (Color Camera Cable, Checkpoint EAS Cable, USB cable) and mounting accessories, such as the bucket.

If any items are missing or damaged, call the Zebra Technologies Support Center. See [Service Information](#) for contact information. KEEP THE

PACKING. It is the approved shipping container and should be used if it is ever necessary to return the equipment for servicing.

Ports

The SP72 includes the following ports:

- **Host Port (All models)** - A 10-pin RJ45 type connector accommodates various host interface cables.
- **EAS Port (EAS Models only)** - A 10-pin RJ45 type connector accommodates various Electronic Article Surveillance (EAS) systems (such as, Checkpoint or Sensormatic).
- **AUX Port (SP7208 Models only)** - Series A type USB connector accommodates a handheld auxiliary scanner, such as the DS2208.
- **AUX Power Port (SP7208 Models only)** - 12VDC
- **Color Camera Port (Color Camera models only)**
- **External Speaker Port (SP72-H Models only)**



NOTE: For detailed connection information, see the applicable host interface chapter.

Features

Label diagrams of key features for the different scanner configurations.

Figure 1 SP7201-V Scanner

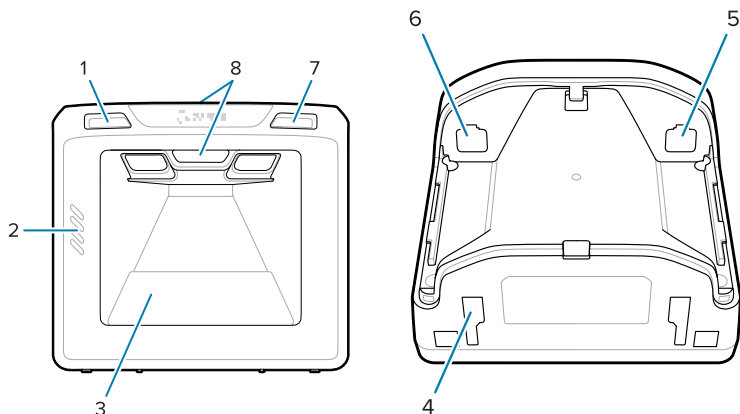


Table 2 SP7201-V Scanner

1	Volume control button
2	Speaker
3	Scan window
4	Mounting Slots
5	Host port
6	EAS port
7	Image Capture button
8	User Feedback indicator LEDs (2)

Figure 2 SP7208-V Scanner

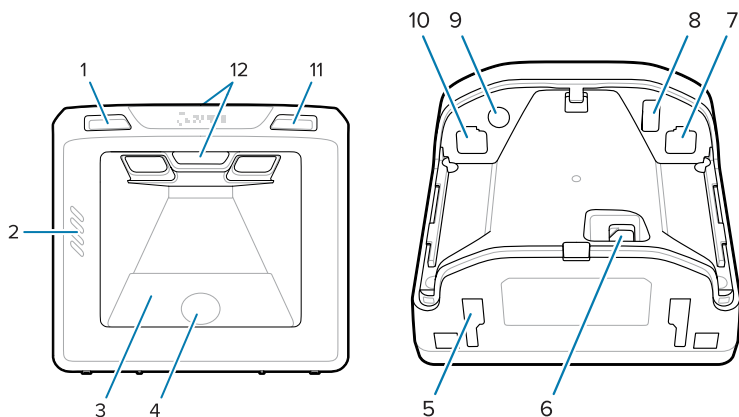


Table 3 SP7208-V Scanner

1	Volume control button
2	Speaker
3	Scan window
4	Color camera
5	Mounting Slots (2)
6	Color camera port
7	Host port
8	Aux port
9	Aux power port
10	EAS port
11	Image capture button
12	User Feedback indicator LEDs (2)

Figure 4 SP7208-H Scanner

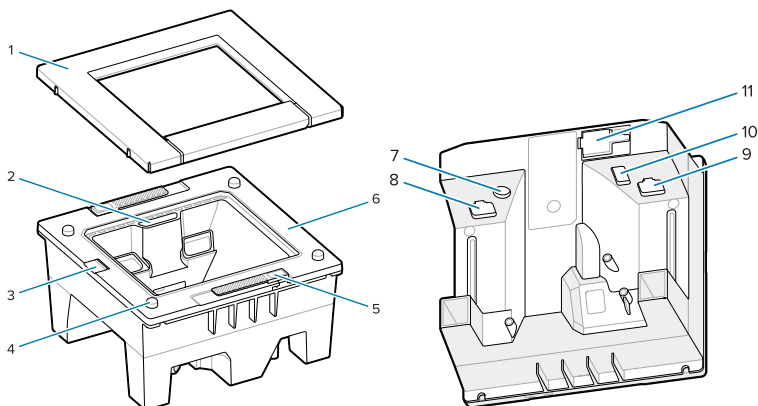


Table 5 SP7208-H Scanner

1	Platter assembly
2	User feedback indicator LED
3	Speaker
4	Platter alignment pin (4)
5	Lift feature (2)
6	Front housing
7	Aux power port
8	EAS port
9	Host port
10	Aux port
11	External speaker port

Power Options

SP7201 (5VDC USB Only)

The SP7201 is powered from the host via the USB host cable and is ready to scan when connected. USB power is via Standard USB (5VDC) or USB BC1.2. It does not have an on/off switch.

SP7208 (Multi-Interface)

The SP7208 is powered from the host via the host cable. USB power is via Standard USB, USB BC1.2, USB Power Plus, or external 12V supply. The color camera and auxiliary scanner options supported on the SP7208 require 12VDC via USB BC1.2, USB Power Plus, or external 12V supply.

Host Interfaces

SP7201 (5VDC USB Only)

The SP7201 supports a 5VDC USB host connection only. The scanner defaults to the HID keyboard interface type. To select other USB interface types, scan programming barcode menus or use the Windows-based programming tool 123Scan. For international keyboard support, see [Country Codes](#) to program the keyboard to interface with a USB host.

SP7208 (Multi-Interface)

The SP7208 scanner supports the following interfaces, and automatically adapts to the connected host.

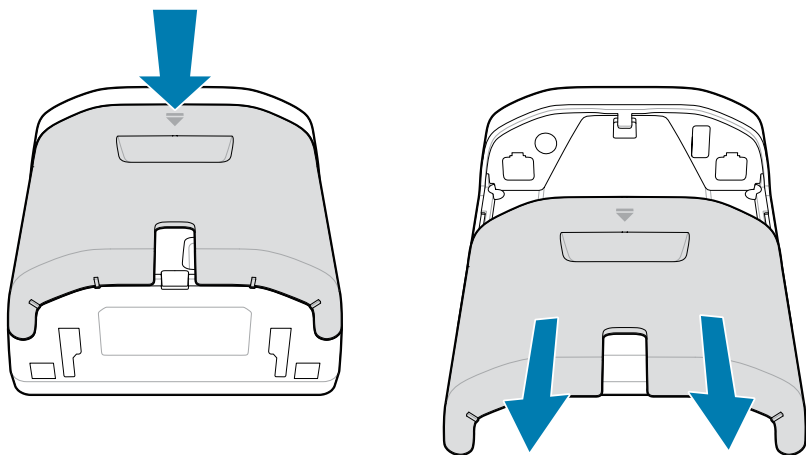
- USB host connection. The scanner defaults to the HID keyboard interface type. To select other USB interface types, scan programming barcode menus or use the Windows-based programming tool 123Scan. For international keyboard support, see [Country Codes](#) to program the keyboard to interface with a USB host.
- TTL-level RS-232 host connection. The scanner defaults to the standard RS-232 interface type. To modify communication between the scanner and the host, scan barcode menus or use the Windows-based programming tool 123Scan.
- IBM 468X/469X host connection. User selection is required to configure this interface. To modify communication between the scanner and the IBM terminal, scan barcode menus or use the Windows-based programming tool 123Scan.
-

- Keyboard Wedge host connection. The scanner defaults to the IBM AT Notebook interface type. The host interprets scanned data as keystrokes. For international keyboard support, see [Country Codes](#) to program the keyboard to interface with a keyboard wedge host.
- SSI communication between the scanner and a serial host, which allows the host to control the scanner.

Removing the Back Cover

Remove the back cover before connecting cables.

To remove the back cover, gently press on the area of the cover indicated by the arrow, slide the cover downward, and lift off.




Installing Cables

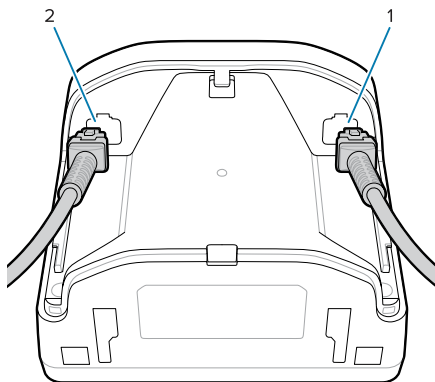
This section describes how to connect cables to the SP7201 and SP7208.

Connecting Cables to the SP7201

To connect the cables to the SP7201:

1. Insert the host cable into the SP7201 host port.
2. For an optional EAS connection, see Electronic Article Surveillance (EAS) in the Product Reference Guide

 **NOTE:** For specific host connection instructions, see the applicable host interface chapter. The connectors illustrated are examples only, and actual cables can vary, but the steps to connect the scanner are the same.



1	Host port
2	EAS port

Connecting Cables to the SP7208

To connect the cables to the SP7208:

1. Insert the host cable into the SP7208 host port.
2. If connecting an auxiliary scanner, insert the auxiliary scanner cable into the SP72 aux port.

3. For an optional EAS connection, see Electronic Article Surveillance (EAS) in the Product Reference Guide
4. If connecting an optional color camera, insert the camera cable into the SP7208 color camera port.
5. If connecting an auxiliary scanner or color camera, connect the 12V power supply to the power port.



NOTE: If connecting the 12V power supply, you must connect this last to ensure proper scanner operation.

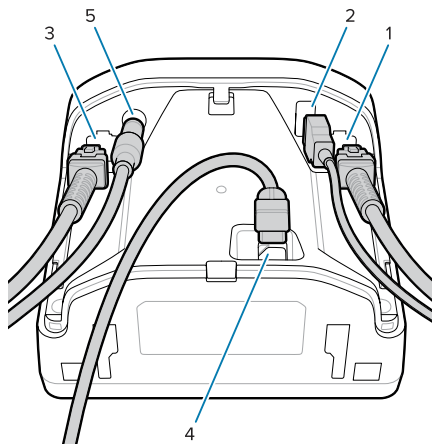


WARNING:

The USB-C connector on this device is not electrically symmetrical. The cable included with the device is designed to fit in one orientation only. Using a non-provided USB-C cable may result in inserting the cable in the wrong electrical orientation rendering the color camera inoperable.



NOTE: For specific host connection instructions, see the applicable host interface chapter. The connectors illustrated are examples only, and actual cables can vary, but the steps to connect the scanner are the same.



1	Host port
2	Aux port
3	EAS port
4	Color camera port
5	Power port

Connecting an External Speaker

Provides instructions for connecting an external speaker to the SP72-H.



NOTE: This applies to the SP72-H only.

Insert a 2-wire external speaker (customer-provided) into the SP72-H external speaker port.



IMPORTANT: The external speaker and cable must meet the following specifications:

- Must have a 2-pin micro-fit 3.0 type connector at the scanner end.
- Speaker must be 4 ohms, 1 watt.
- Cable must be shielded 24-gauge wire no longer than 2 feet.

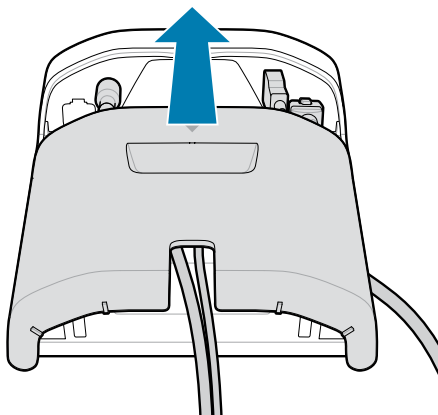
Replacing the Back Cover

The SP72 back cover has three channels to route outgoing cables so they do not hinder scanner placement.

To replace the back cover:

1. Place the cover on the back of the scanner, properly routing the cables through the nearest channel.

2. Press the cover and slide upward until it snaps into place.



Mounting Accessories

The SP72 is designed to sit on a table top, but optional mounting kits are available to mount the SP72 to a table top or a wall, or install in a counter top.

- Table Mount for the SP72-V (BRKT-TM0072-04)
- Riser Mount for the SP72-V (BRKT-RM0072-04)
- Bucket Mount for the SP72-H (BRKT-BM0072-00)



NOTE: Installing the scanner behind an additional protective window can create reflective areas that may impact performance.

Figure 5 SP72-V Table Mount (BRKT-TM0072-04)

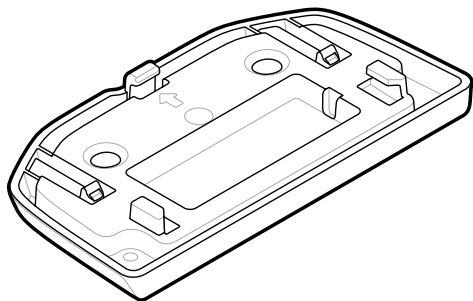


Figure 6 SP72-V Riser Mount (BRKT-RM0072-04)

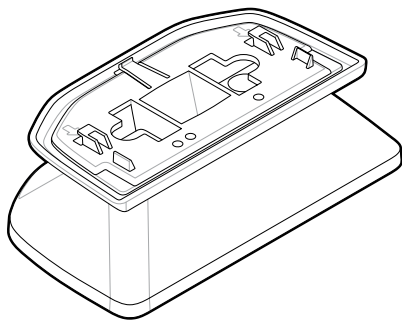
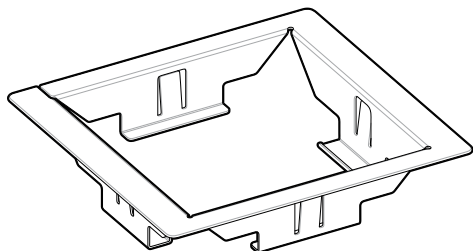


Figure 7 SP72-H Bucket Mount (BRKT-BM0072-00)





NOTE: Refer to the Product Reference Guide for mounting instructions.

Configuring the Scanner

To configure the scanner, use the barcodes in this manual, or use the 123Scan configuration program .

To set up the scanner for RS-232, IBM 468X/469X, Keyboard Wedge, or USB connection, see the host-specific chapter.

Operating the Scanner

Indicator Lights

Provides details regarding the location of the indicator LED lights for the SP72-V and SP72-H model.

- The SP72-V has two LED lights located on the front and the top.
- The SP72-H has one LED light located on the front.



NOTE: All LEDs are bi-color red/green.

Adjusting Speaker Tone

To change speaker tone, hold the Volume Control button on the front of the scanner (see [Features](#)) for three seconds or longer.

While the speaker cycles through the available tones, release the Volume Control button when you hear the desired tone. This allows you to adjust the speaker tone, but does not allow you to disable the tone.

Alternatively, scan a barcode in Scan Tone to change or disable the speaker tone.



NOTE:

The Volume/Tone Button parameter barcodes can be used to prevent the speaker tone from being changed.

Adjusting Speaker Volume

To change beeper volume, press (short duration press) and release the Volume Control button on the front of the scanner (see [Features](#)) repeatedly until the desired volume level sounds (high, medium or low).

Alternatively, scan a barcode in Beeper Volume



NOTE:

The Volume/Tone Button parameter barcodes can be used to prevent the speaker volume from being changed.

Maintenance, Troubleshooting, and Specifications

This section provides suggested scanner maintenance, troubleshooting, technical specifications, and connections (pinouts).

Maintenance

Known Harmful Ingredients

The following chemicals are known to damage the plastics on Zebra scanners and should not come in contact with the device:

- Acetone
- Ammonia solutions
- Aqueous or alcoholic alkaline solutions
- Aromatic and chlorinated hydrocarbons
- Benzene
- Carboic acid
- Compounds of amines or ammonia
- Ethanolamine
- Ethers
- Ketones
- TB-lysoform
- Toluene
- Trichloroethylene

Approved Cleaners

Isopropyl alcohol 70% (including pre-moistened wipes).

Cleaning the Scanner

Routinely cleaning the scan window is required. A dirty window may affect scanning accuracy. Do not allow any abrasive material to touch the window.

1. Dampen a soft cloth with one of the approved cleaning agents listed above or use pre-moistened wipes.
2. Gently wipe all surfaces, including the front, back, sides, top and bottom. Never apply liquid directly to the scanner. Be careful not to let liquid pool around the scan window, cable connectors, or any other area on the device.
3. Do not spray water or other cleaning liquids directly onto the scan window.
4. Wipe the scan window with a lens tissue or other material suitable for cleaning optical material such as eyeglasses.
5. Immediately dry the scan window after cleaning to prevent streaking.
6. Allow the unit to air dry before use.
7. Scanner connectors:
 - a) Dip the cotton portion of a cotton-tipped applicator in isopropyl alcohol.
 - b) Rub the cotton portion of the cotton-tipped applicator back-and-forth across the connectors at least three times. Do not leave any cotton residue on the connectors.
 - c) Use the cotton-tipped applicator dipped in alcohol to remove any grease and dirt near the connector area.
 - d) Use a dry cotton tipped applicator and rub the cotton portion of the cotton-tipped applicator back-and-forth across the connectors at least three times. Do not leave any cotton residue on the connectors.

Troubleshooting



NOTE: If, after performing the possible solutions in the following table, the scanner still experiences problems, contact the distributor or call support.

Table 6 Troubleshooting

Problem	Possible Cause	Possible Solution
The illumination does not appear when pressing the trigger.	No power to the scanner.	If the configuration requires a power supply, re-connect the power supply.
	Incorrect host interface cable is used.	Connect the correct host interface cable.
	Interface/power cables are loose.	Re-connect cables.
	Scanner is disabled.	For IBM 468x and USB IBM hand-held, IBM table-top, and OPOS modes, enable the scanner via the host interface. Otherwise, see the technical person in charge of scanning.
Scanner emits illumination, but does not decode the barcode.	If using RS-232 Nixdorf B mode, CTS is not asserted.	Assert CTS line.
	Scanner is not programmed for the correct barcode type.	Program the scanner to read that type of barcode. See Symbologies in the Product Reference Guide.
	Barcode symbol is unreadable.	Scan test symbols of the same barcode type to determine if the barcode is defaced.

Table 6 Troubleshooting (Continued)

Problem	Possible Cause	Possible Solution
	The symbol is not completely inside illumination.	Move the symbol completely within the illumination. Move the symbol completely within the field of view (AIM pattern does NOT define FOV).
	Distance between scanner and barcode is incorrect.	Move the scanner closer to or further from the barcode. See Decode Ranges in the Product Reference Guide.
Scanner decodes barcode, but does not transmit the data to the host.	Scanner is not programmed for the correct host type.	Scan the appropriate host type programming barcode. See the chapter corresponding to the host type.
	Interface cable is loose.	Re-connect the cable.
	If the scanner emits four long low beeps, a transmission error occurred. This occurs if a unit is not properly configured or connected to the wrong host type.	Set the scanner's communication parameters to match the host's setting.
	If the scanner emits 5 low beeps, a conversion or format error occurred.	Configure the scanner's conversion parameters properly.

Table 6 Troubleshooting (Continued)

Problem	Possible Cause	Possible Solution
	If the scanner emits low/high/low beeps, it detected an invalid ADF rule.	Program the correct ADF rules. Refer to the Advanced Data Formatting Programmer Guide.
Host displays scanned data incorrectly.	Scanner is not programmed to work with the host.	Scan the appropriate host type programming barcode.
		For RS-232, set the scanner's communication parameters to match the host's settings.
		For a Keyboard Wedge configuration, program the system for the correct keyboard type, and turn off the CAPS LOCK key.
		Program the proper editing options (for example, UPC-E to UPC-A Conversion).
Scanner emits short low/short medium/short high beep sequence (power-up beep sequence) more than once.	The USB bus may put the scanner in a state where power to the scanner is cycled on and off more than once.	Normal during host reset.
Scanner emits 4 short high beeps during decode attempt.	Scanner has not completed USB initialization.	Wait several seconds and scan again.

Table 6 Troubleshooting (Continued)

Problem	Possible Cause	Possible Solution
Scanner emits Low/low/low/extra low beeps when not in use.	RS-232 receive error.	Normal during host reset. Otherwise, set the scanner's RS-232 parity to match the host setting.
Scanner emits low/high beeps during programming.	Input error, incorrect barcode or Cancel barcode was scanned.	Scan the correct numeric barcodes within range for the parameter programmed.
Scanner emits low/high/low/high beeps during programming.	Out of host parameter storage space.	Scan Default Parameters .
	Out of memory for ADF rules.	Reduce the number of ADF rules or the number of steps in the ADF rules.
	During programming, indicates out of ADF parameter storage space.	Erase all rules and re-program with shorter rules.
Scanner emits low/high/low beeps.	ADF transmit error.	Refer to the Advanced Data Formatting Guide for information.
	Invalid ADF rule is detected.	Refer to the Advanced Data Formatting Guide for information.
Scanner emits a power-up beep after changing USB host type.	The USB bus re-established power to the scanner.	Normal when changing USB host type.

Table 6 Troubleshooting (Continued)

Problem	Possible Cause	Possible Solution
Scanner emits one high beep when not in use.	In RS-232 mode, a <BEL> character was received and Beep on <BEL> option is enabled.	Normal when Beep on <BEL> is enabled and the scanner is in RS-232 mode.
Scanner emits frequent beeps.	Inadequate power supplied to the scanner.	Check the system power. If the configuration requires a power supply, re-connect the power supply.
	Incorrect host interface cable is used.	Verify that the correct host interface cable is used. If not, connect the correct host interface cable.
	Interface/power cables are loose.	Check for loose cable connections and re-connect cables.
Scanner emits five long low beeps after a barcode is decoded.	Conversion or format error was detected. The scanner conversion parameters are not properly configured.	Ensure the scanner conversion parameters are properly configured.
	Conversion or format error was detected. An ADF rule was set up with characters that cannot be sent for the host selected.	Change the ADF rule, or change to a host that can support the ADF rule.
	Conversion or format error was detected. A barcode was scanned with characters that cannot be sent for that host.	Scan a different barcode, or change to a host that can support the barcode.

Table 6 Troubleshooting (Continued)

Problem	Possible Cause	Possible Solution
SP7208 emits a low-high-high-low beep sequence (may sound once every 10 seconds)	The attached aux scanner is drawing to much current.	Disconnect/ Reconnect the aux scanner. If that doesn't solve the issue replace the aux scanner.
Scanner emits a high, low beeper sequence.	An unsupported USB device was plugged into the USB host port, and/or the device failed enumeration.	Disconnect the unsupported device.

Programming

Your System Administrator should customize the scanner for your particular application using programming bar codes found in the Product Reference Guide.

If the user is programming the scanner, refer to the Product Reference Guide for more information.

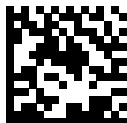
! **IMPORTANT:** When scanning the desired bar code in this guide, cover the other bar code(s) on the page.

Following are some frequently used programming bar codes. Scanner defaults include an asterisk (*).

Set Default Parameter

This parameter returns all parameters to the default values.

See the default value tables in each chapter.



*Set All Defaults

Keyboard Wedge Host Types

Use this parameter to select the keyboard wedge host.



NOTE: For a list of supported scanner functionality by communication protocol, see Communication Protocol Functionality in the Product Reference Guide.



IBM PC/AT & IBM PC Compatibles

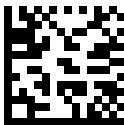


*IBM AT Notebook

Country Code Barcodes



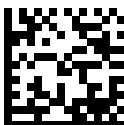
*US English (North American)



French (France)



German



Italian



Portuguese (Brazil) (Windows XP)



Russian



Spanish



Swedish



UK English

RS-232 Host Types

Select an RS-232 host interface using one of the following options.

Notes on using RS-232 host types:

- For a list of supported scanner functionality by communication protocol, see Communication Protocol Functionality in the Product Reference Guide
- Scanning Standard RS-232 activates the RS-232 driver, but does not change port settings (for example, parity, data bits, handshaking). Selecting another RS-232 host type barcode changes these settings.
- The CUTE host disables all parameter scanning, including Set Defaults. If you inadvertently select CUTE, scan Enable Parameter Barcode Scanning in the Product Reference Guide and then change the host selection.



*Standard RS-232



ICL RS-232



Nixdorf RS-232 Mode A



Nixdorf RS-232 Mode B



Olivetti ORS4500



Omron



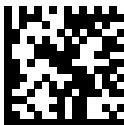
OPOS/JPOS



Fujitsu RS-232



CUTE



NCR



Datalogic Variant

USB Device Type

You can scan one of the following barcodes to select the USB device type.

To select a country keyboard type for the USB HID Keyboard host, see [Country Codes](#).

- When changing USB Device Types, the scanner resets and issues the standard startup beep sequences.
- When connecting two scanners to a host, IBM does not allow selecting two of the same device type. If you require two connections, select IBM Table-top USB for one scanner and IBM Hand-held USB for the second scanner.
- Select OPOS (IBM Hand-held with Full Disable) to completely shut off the scanner when an IBM register issues a Scan Disable command, including aim, illumination, decoding, and data transmission.
- Before selecting USB CDC Host, ensure your host OS has a USB CDC driver installed. For reference, Windows 10 includes a native (built-in) USB CDC driver. To recover a scanner stalled (non-functional) in USB CDC mode: Either install a USB CDC Driver or after power-up, hold

the trigger for 10 seconds (which allows the scanner to recover), then scan another USB Device Type barcode.

- Select USB HID POS to communicate over a USB cable with Microsoft's Universal Windows Platform (UWP) applications running on Windows 10 devices.



*USB HID Keyboard



IBM Table-top USB



IBM Hand-held USB



OPOS (IBM Hand-held with Full Disable)



USB CDC Host



SSI over USB CDC



Symbol Native API (SNAPI) without
Imaging Interface



Symbol Native API (SNAPI) with
Imaging Interface



USB HID POS (for Windows 10
devices only)

Regulatory Information

This device is approved under Zebra Technologies Corporation.

This guide applies to the following model numbers:

- SP7201
- SP7208
- SM7208

All Zebra devices are designed to be compliant with the rules and regulations in the locations they are sold and will be labeled as required.

Local language translation / (BG) Превод на местен език / (CZ) Překlad do místního jazyka / (DE) Übersetzung in die Landessprache / (EL) Μετάφραση τοπικής γλώσσας / (ES) Traducción de idiomas locales / (ET) Kohaliku keele tõlge / (FI) Paikallinen käännös / (FR) Traduction en langue locale / (HR) Prijevod na lokalni jezik / (HU) Helyi nyelvű fordítás / (IT) Traduzione in lingua locale / (JA) 現地語翻訳 / (KR) 현지 언어 번역 / (LT) Vietinės kalbos vertimas / (LV) Tulkojums vietējā valodā / (NL) Vertaling in lokale taal / (PL) Tłumaczenie na język lokalny / (PT) Tradução do idioma local / (RO) Traducere în limba locală / (RU) Перевод на местный язык / (SK) Preklad do miestneho jazyka / (SL) Prevajanje v lokalni jezik / (SR) Превод на локални језик / (SV) Översättning av lokalt språk / (TR) Yerel dil çevirisi / (ZH-CN) 当地语言翻译 / (ZH-TW) 當地語言翻譯

zebra.com/support


Any changes or modifications to Zebra equipment not expressly approved by Zebra could void the user's authority to operate the equipment.

Declared maximum operating temperature: [50]°C

Regulatory Markings

Regulatory markings subject to certification are applied to the device. Refer to the Declaration of Conformity (DoC) for details of other country markings. The DOC is available at: zebra.com/doc.

Power Supply

 **WARNING:** ELECTRICAL SHOCK Use only a Zebra approved, Certified ITE LPS power supply with appropriate electrical ratings. Use of alternative power supply will invalidate any approvals given to this unit and may be dangerous.

 **Marking and European Economic Area (EEA)**

Statement of Compliance

Zebra hereby declares that this device is in compliance with Directives 2014/30/EU, 2014/35/EU, and 2011/65/EU.

The full text of the EU Declaration of Conformities is available at: zebra.com/doc.

EU Importer : Zebra Technologies B.V

Address: Mercurius 12, 8448 GX Heerenveen, Netherlands

Environmental Compliance

For compliance declarations, recycling information, and materials used for products and packaging, please visit www.zebra.com/environment.

Waste Electrical and Electronic Equipment (WEEE)

For EU and UK Customers: For products at the end of their life, please refer to recycling/disposal advice at: www.zebra.com/weee.

United States and Canada Regulatory

Radio Frequency Interference Notices

This device complies with Part 15 of the FCC Rules. Operation is subject to the following two conditions: (1) this device may not cause harmful interference, and (2) this device must accept any interference received including interference that may cause undesired operation.

Radio Frequency Interference Requirements – Canada

Innovation, Science and Economic Development Canada ICES-003
Compliance Label: CAN ICES-003 (B)/NMB-003(B)

This device complies with Innovation, Science and Economic Development Canada's licence-exempt RSSs. Operation is subject to the following two conditions: (1) This device may not cause interference; and (2) This device must accept any interference, including interference that may cause undesired operation of the device.

L'émetteur/récepteur exempt de licence contenu dans le présent appareil est conforme aux CNR d'Innovation, Sciences et Développement économique Canada applicables aux appareils radio exempts de licence.

L'exploitation est autorisée aux deux conditions suivantes : (1) l'appareil ne doit pas produire de brouillage, et (2) l'utilisateur de l'appareil doit accepter tout brouillage radio électrique subi même si le brouillage est susceptible d'en compromettre le fonctionnement.

中国

通过访问以下网址可下载当地语言支持的产品说明书 zebra.com/support。

如果配套使用外部电源适配器，请确保其已通过CCC 认证



China RoHS

部件名称 (Parts)	有害物质					
	铅 (Pb)	汞 (Hg)	镉 (Cd)	六价铬 (Cr(VI))	多溴联苯 (PBB)	多溴二苯醚 (PBDE)
金属部件 (Metal Parts)	X	○	○	○	○	○
电路模块 (Circuit Modules)	X	○	○	○	○	○
电缆及电缆组件 (Cables and Cable Assemblies)	○	○	○	○	○	○
塑料和聚合物部件 (Plastic and Polymeric Parts)	○	○	○	○	○	○
光学和光学组件 (Optics and Optical Components)	○	○	○	○	○	○
电池 (Batteries)	○	○	○	○	○	○



本表格依据SJ/T 11364 的规定编制。

O: 表示该有害物质在该部件所有均质材料中的含量均在 GB/T 26572 规定的限量要求以下。

X: 表示该有害物质至少在该部件的某一均质材料中的含量超出GB/T 26572 规定的限量要求。(企业可在此处, 根据实际情况对上表中打“×”的技术原因进行进一步说明。

Евразийский Таможенный Союз (EAC)

Данный продукт соответствует требованиям знака EAC.



한국



Statement of Compliance

Zebra hereby declares that this device is in compliance with Electromagnetic Compatibility Regulations 2016, the Electrical Equipment (Safety) Regulations 2016 and the Restriction of the Use of Certain Hazardous Substances in Electrical and Electronic Equipment Regulations 2012.

The full text of the UK Declaration of Conformities is available at: zebra.com/doc.

UK Importer: Zebra Technologies Europe Limited

Address:

Dukes Meadow, Millboard Rd, Bourne End, Buckinghamshire, SL8 5XF

Warranty

For the complete Zebra hardware product warranty statement, go to: zebra.com/warranty.

Service Information

Before you use the unit, it must be configured to operate in your facility's network and run your applications.

If you have a problem running your unit or using your equipment, contact your facility's Technical or System Support. If there is a problem with the equipment, they will contact Zebra support at zebra.com/support.

For the latest version of the guide go to: zebra.com/support.

Software Support

Zebra wants to ensure that customers have the latest entitled software at the time of device purchase in order to keep the device operating at peak performance levels. To confirm that your Zebra device has the latest entitled software available at the time of purchase, go to zebra.com/support.

Check for the latest software from Support > Products, or search for the device and select **Support > Software Downloads**.

If your device does not have the latest entitled software as of your device purchase date, e-mail Zebra at entitlementservices@zebra.com and ensure you include the following essential device information:

- Model number
- Serial number
- Proof of purchase
- Title of the software download you are requesting.

If it is determined by Zebra that your device is entitled to the latest version of software, as of the date you purchased your device, you will receive an e-mail containing a link directing you to a Zebra Web site to download the appropriate software.

Product Support Information

- For information on using this product, see the User Guide at zebra.com/support.
- To find quick answers to known product behaviors, access our knowledge articles at supportcommunity.zebra.com/s/knowledge-base.
- Ask your questions in our Support community at supportcommunity.zebra.com.
- Download product manuals, drivers, software, and view how-to videos at zebra.com/support.
- To request a repair for your product, go to zebra.com/repair.

